
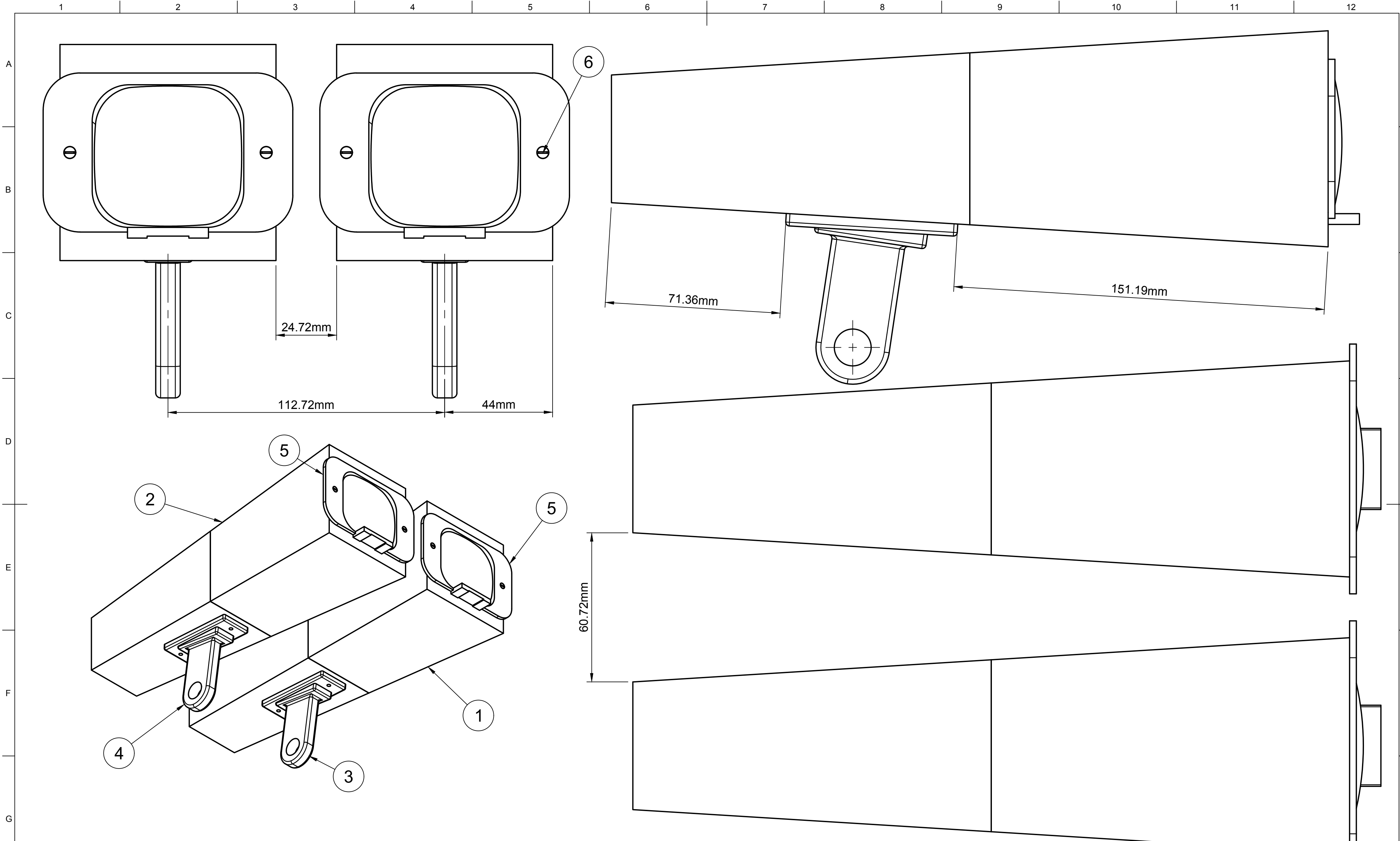
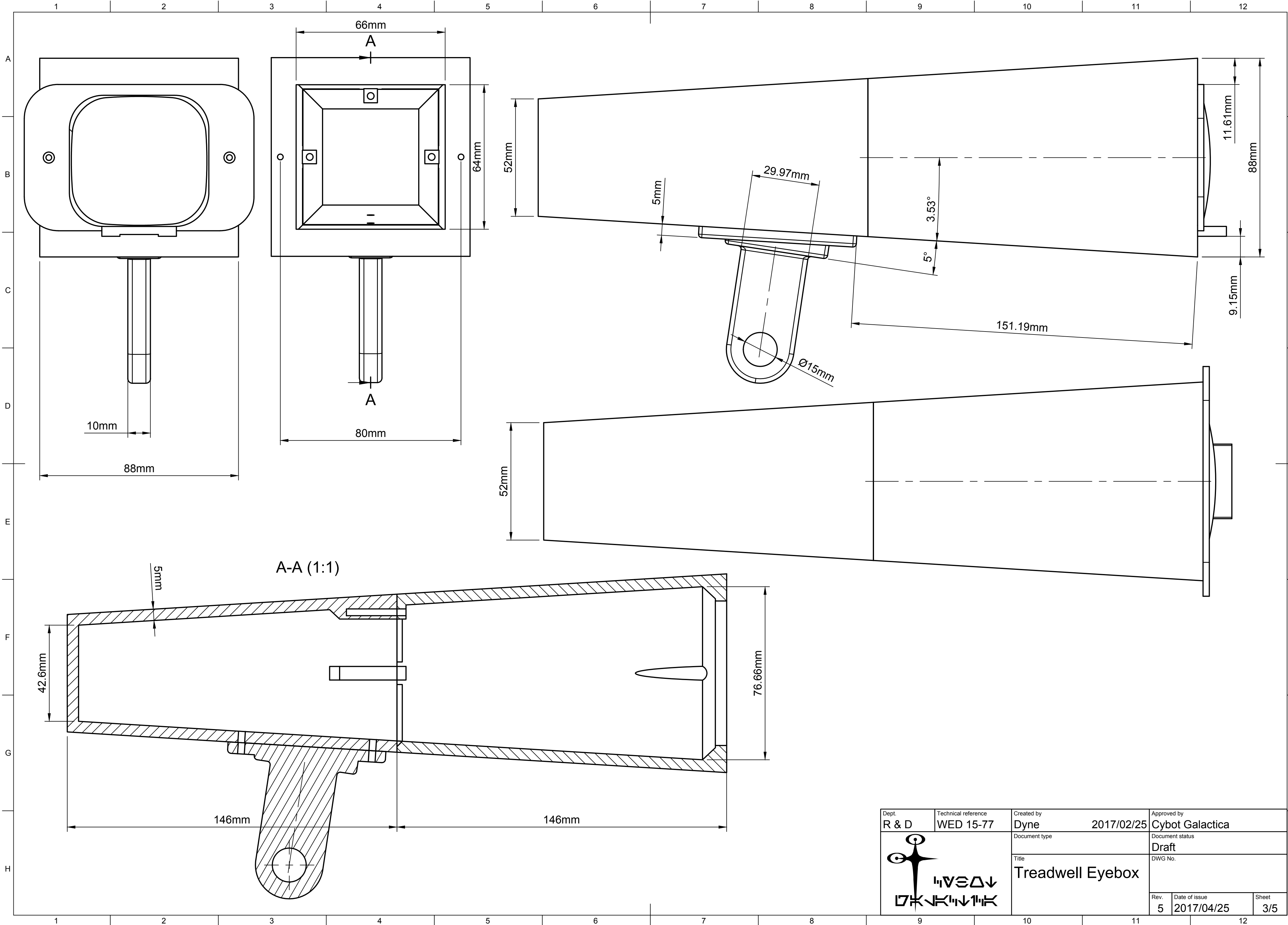


Dept. R & D	Technical reference WED 15-77	Created by Dyne	2017/02/25	Approved by Cybot Galactica
		Document type	Draft	
		Title	Treadwell Head Assembly	
Rev. 5	Date of issue 2017/04/25	Sheet 1/5		



6	4	90275A092	Flat slotted screw 1/4" 3-48	
5	2	Lens Subassembly	Lens, holder, and retainer	
4	1	Eyebox Mount		Steel
3	1	Eyebox Mount	Pivot arm	Steel
2	1	Eyebox	Mirrored from port eyebox	Steel
1	1	Eyebox	Eyebox	Steel
Item	Qty	Part Number	Description	Material
Parts List				

Dept. R & D	Technical reference WED 15-77	Created by Dyne	2017/02/25	Approved by Cybot Galactica
		Document type	Draft	
		Title Treadwell Eyeboxes	DWG No.	
		Rev. 5	Date of issue 2017/04/23	Sheet 2/5

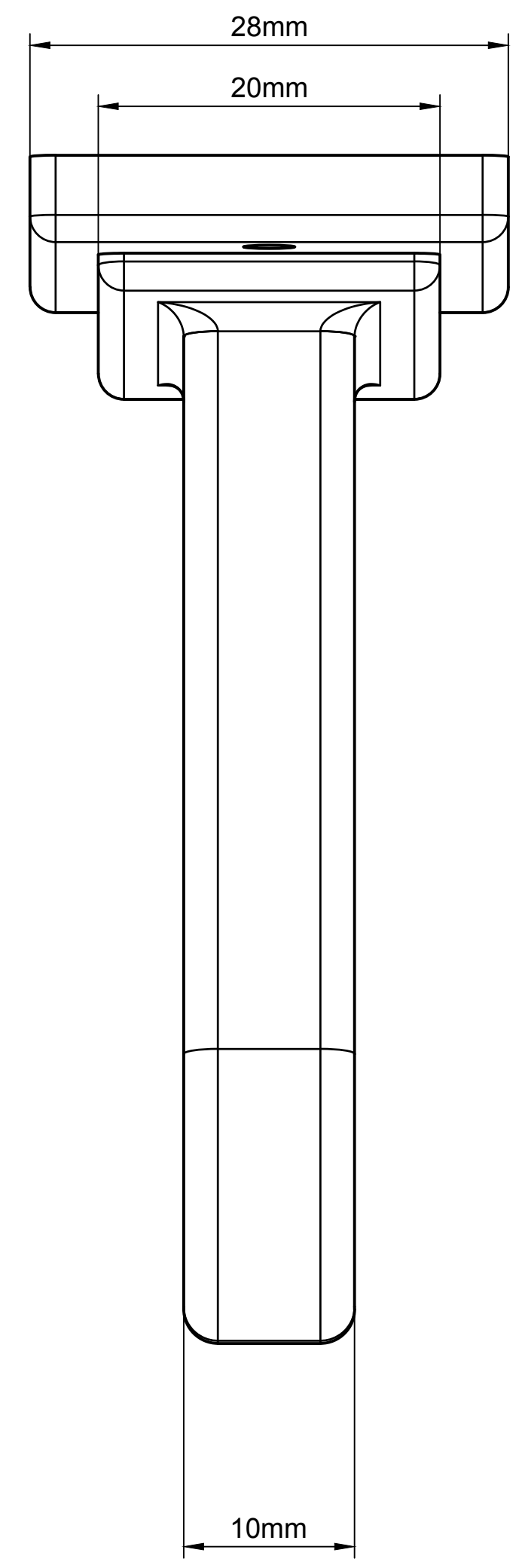
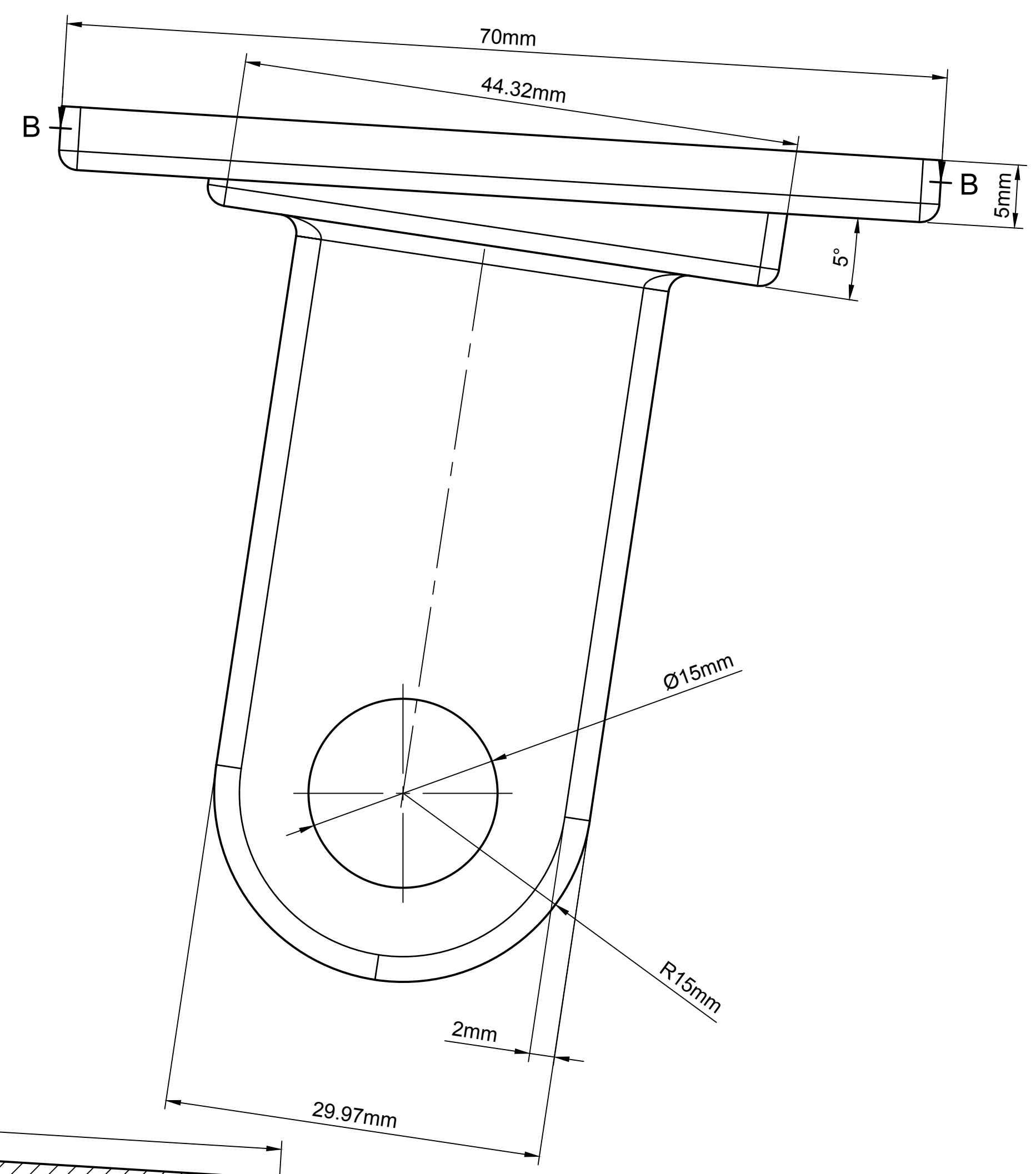
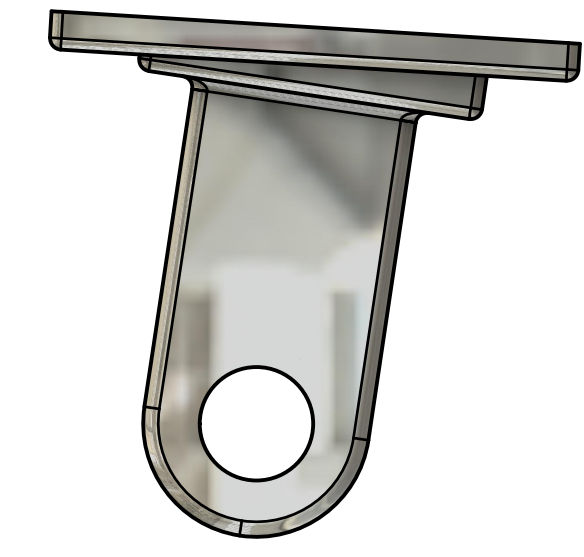
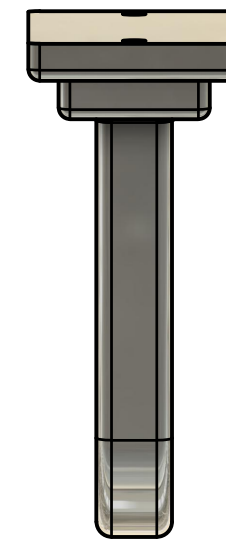
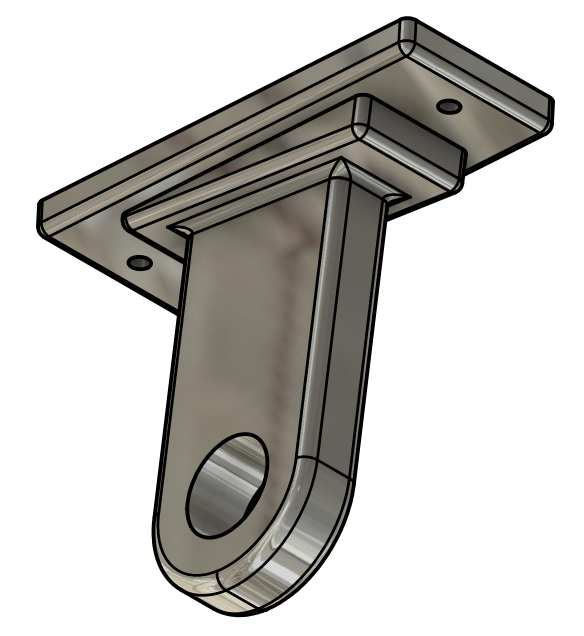
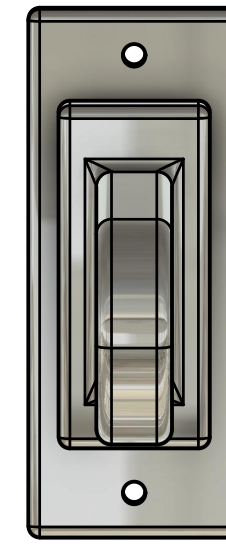


Dept. R & D	Technical reference WED 15-77	Created by Dyne	2017/02/25	Approved by Cybot Galactica
		Document type	Draft	
		Title	Treadwell Eyebox	
Rev.	Date of issue	Sheet		
5	2017/04/25	3/5		

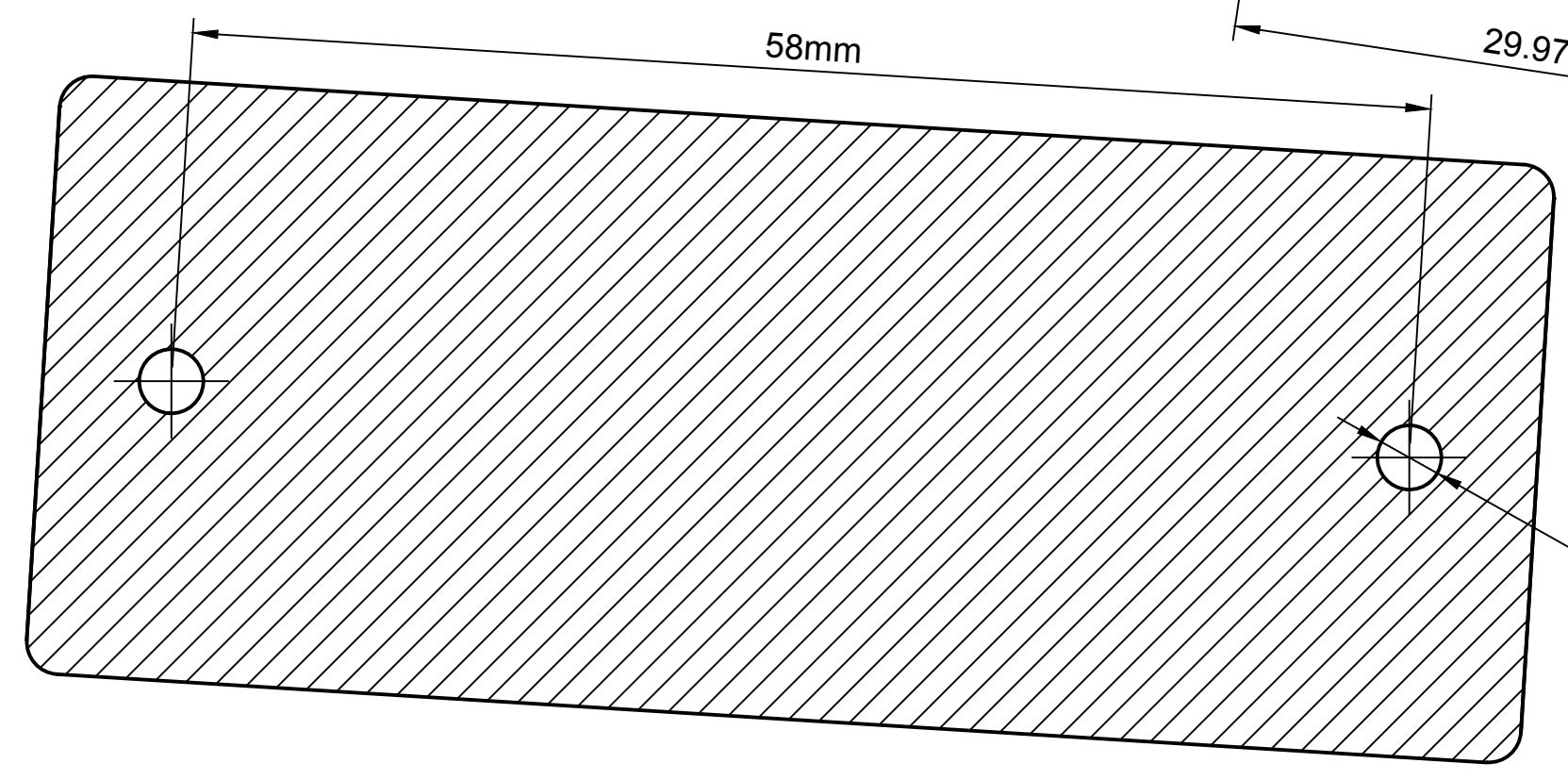
1 2 3 4 5 6 7 8 9 10 11 12

A  
B  
C  
D  
E  
F  
G  
H

A  
B  
C  
D  
E  
F  
G  
H

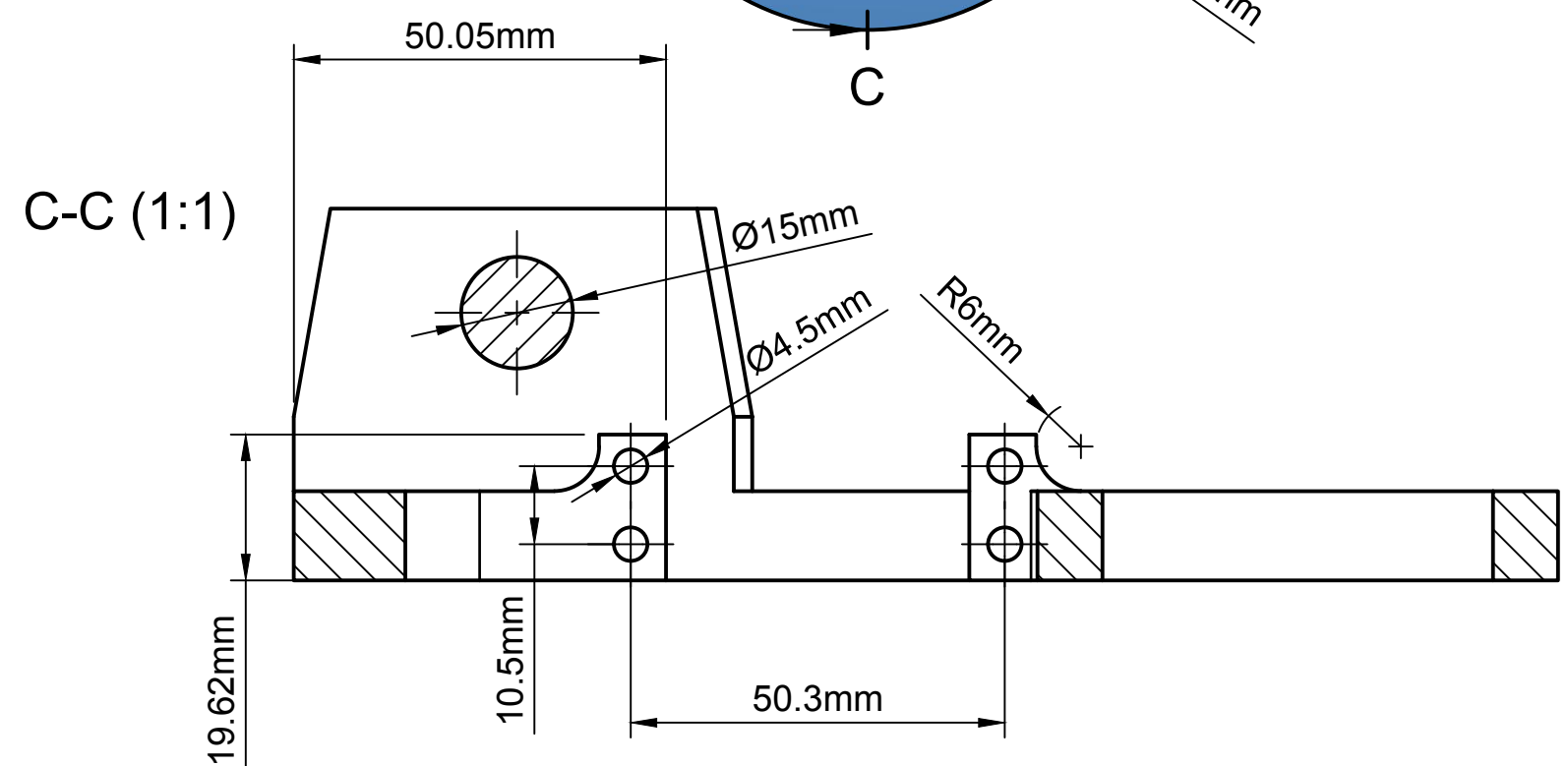
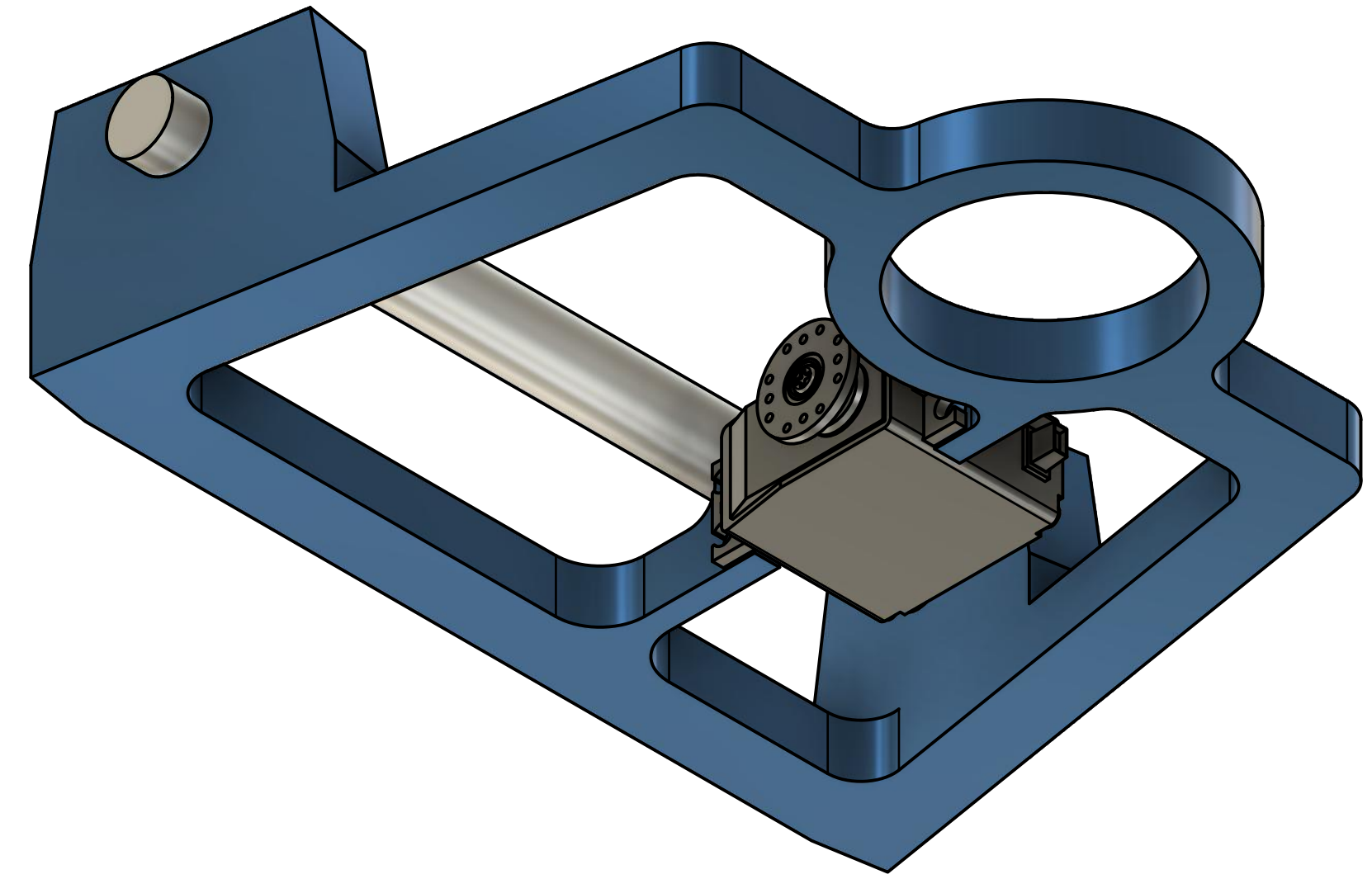
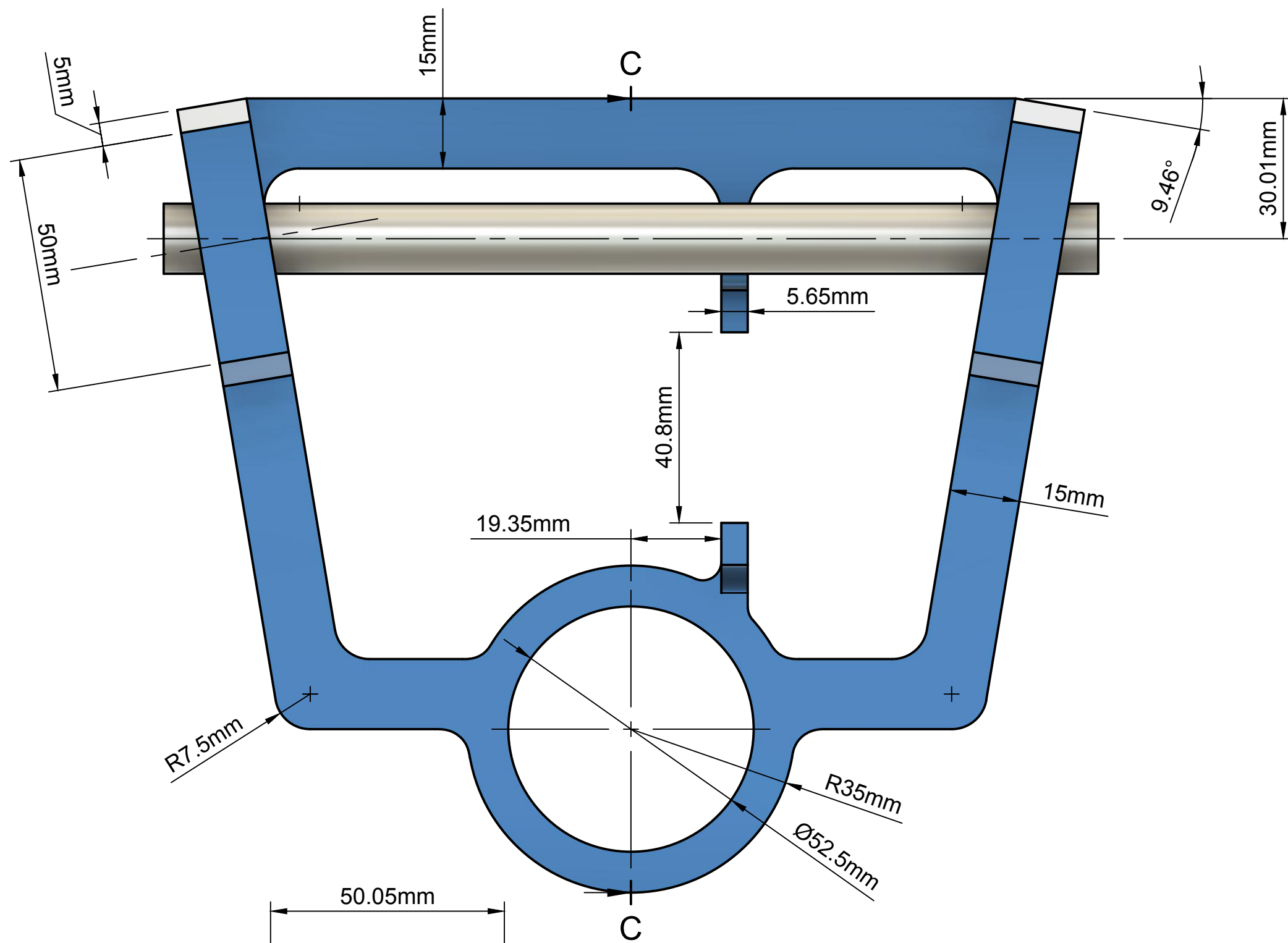
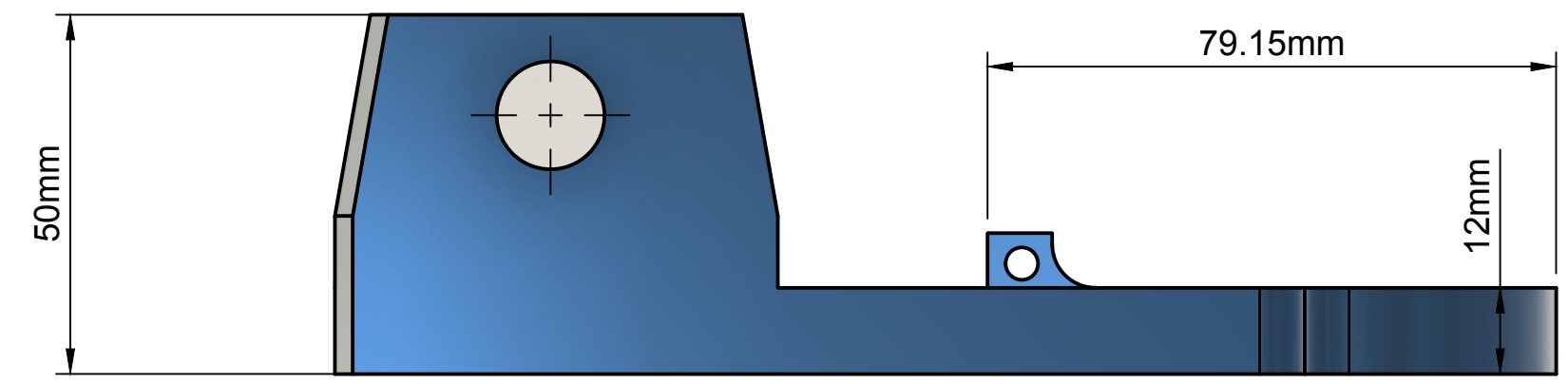
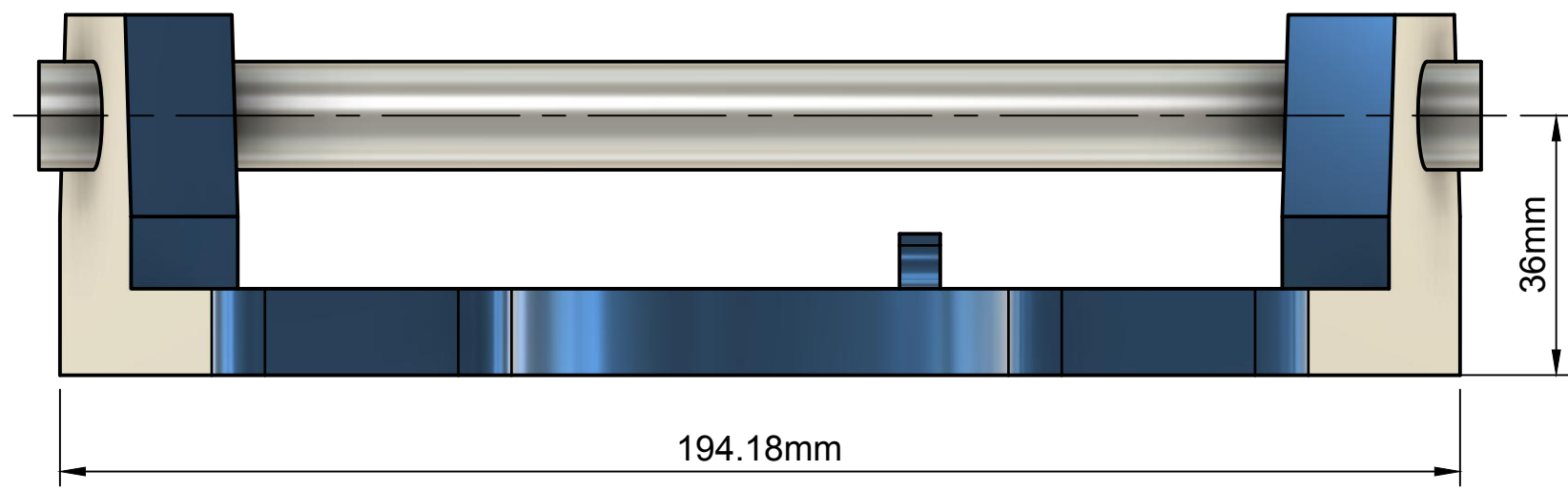


B-B (3:1)



Dept. R & D	Technical reference WED 15-77	Created by Dyne	2017/02/25	Approved by Cybot Galactica
		Document type	Draft	
		Title	Treadwell Eyebox Mount	
Rev.	Date of issue	Sheet		
5	2017/04/25	4/5		

1 2 3 4 5 6 7 8 9 10 11 12



Dept. R & D	Technical reference WED 15-77	Created by Dyne	2017/02/25	Approved by Cybot Galactica
		Document type		Document status Draft
		Title	Treadwell Neck Assembly	
Rev. 5	Date of issue 2017/04/25	Sheet 5/5		